

INERT RELIEF VALVES

FEATURES

- 2 Versions
 - 075RV - stand-alone, spring loaded
 - 075RS – spring loaded with solenoid control (open when energized)

Series 075RV & 075RS

- 6 Pressure Relief Settings from 20 to 150 psi
- Fully Chemically Inert
- Chemraz® and PPS Wetted Fluid Path²
- Minimal Internal Volume
- High Cycle Life

Series 075RS

- Isolated solenoid
- Continuous Duty Coil
- Low Power Consumption
- Fast Response Time

SPECIFICATIONS

Series	075RV / 075RS	
Orifice Diameter	0.062" (1.57mm)	
Flow Rate	C _v = 0.030 +/-0.005	
Internal Volume	0.054cc	
Ports ¹	1/4-28 flat bottom	

Series	075RS	
Voltage	12 VDC	24 VDC
Power (Watts)	2.8	2.8
Current Amps @21°C	0.23	0.12
Lead Wires	15" (381mm) 26 Gauge Teflon® coated	

© Teflon is a registered trademark of DuPont Co.
 © Chemraz is a registered trademark of Greene Tweed & Co.
 1 Other ports available (e.g. M6 x 1.0, or 10-32). Please consult factory.
 2 Teflon® optionally available for body and/or diaphragm. Please consult factory

See back for standard pressure configurations.



Installation drawings on back

The 075RV / 075RS relief valve series is ideally suited for use with aggressive and high-purity fluids. Wetted parts consist of the PPS (Ryton) valve body and the Chemraz® diaphragm. Custom body and diaphragm configurations are available from a broad menu of engineered plastics and elastomers, including Teflon®. The unique Bio-Chem Valve diaphragm retention design ensures the most reliable performance and longest life available.

The solenoid operated, normally closed 075RS relief valve provides dual functionality as a solenoid valve with pressure relief function. This provides flow control and the capability to periodically purge the system.

Relief pressure settings other than the standard values indicated on this product data sheet are also possible. Contact a Bio-Chem Valve applications engineer for custom modifications.

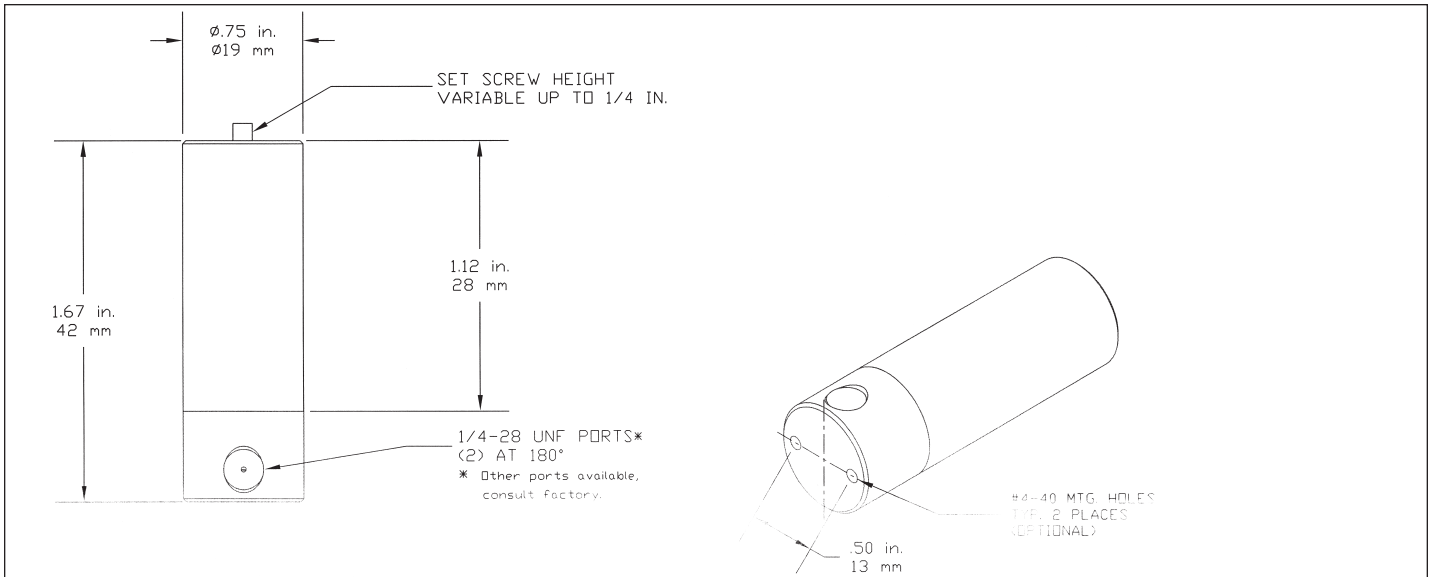
1	Select Valve Size	075
2	Indicate Style	RV - Relief Valve RS - Relief Valve with solenoid
3	Indicate Voltage	(Blank for RV Series), 12 VDC, 24 VDC
4	Indicate orifice size	0.062"
5	Indicate Relief Pressure	20, 35, 60, 85, 110, or 150 psi

Example: 075 RV - 62 - 35
 075 RS 12 - 62 - 110
 Valve Size Valve Type Volts Orifice Diameter Relief Pressure

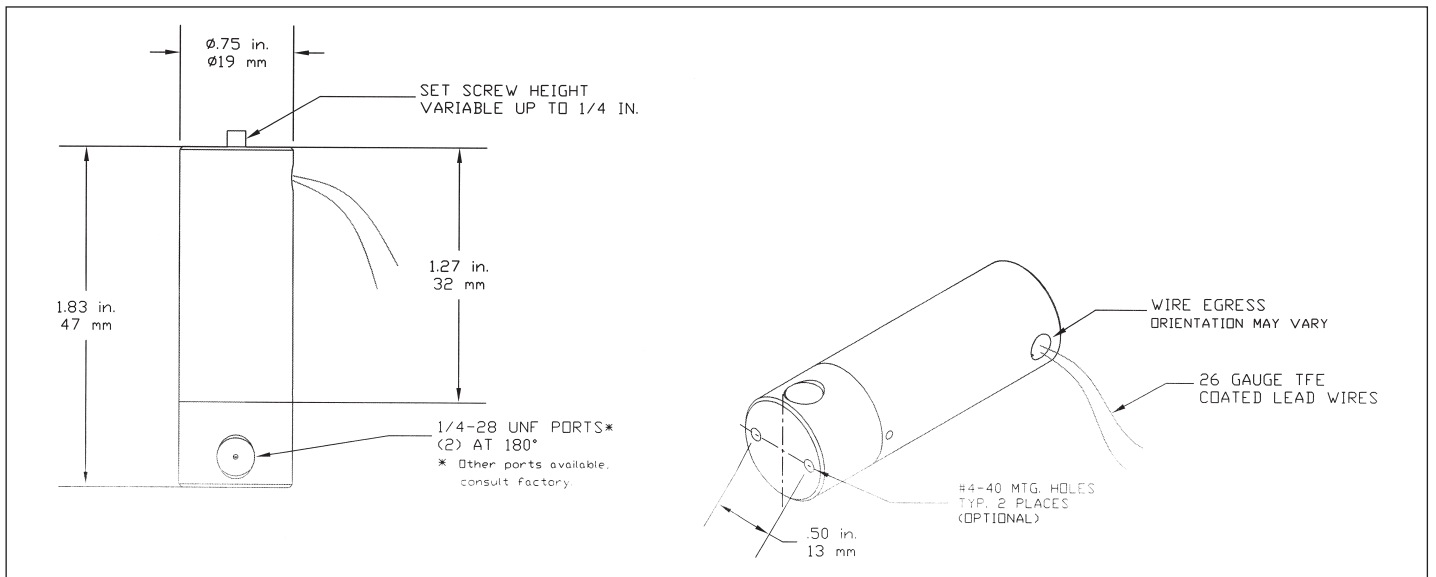
85 Fulton Street • Boonton, NJ 07005 USA
 (973) 263-3001 • Fax: (973) 263-2880
 www.bio-chemvalve.com
 Email: info@bio-chemvalve.com

INSTALLATION DIMENSIONS

Series 075RV Relief Valve



Series 075RS Relief Valve with Solenoid



STANDARD PRESSURE CONFIGURATIONS

Operating Pressure	Relief Pressure
0 – 17 psig	20 +/- 3 psi
0 – 31 psig	35 +/- 4 psi
0 – 54 psig	60 +/- 6 psi
0 – 77 psig	85 +/- 8 psi
0 – 100 psig	110 +/- 10 psi
0 – 138 psig	150 +/- 12 psi